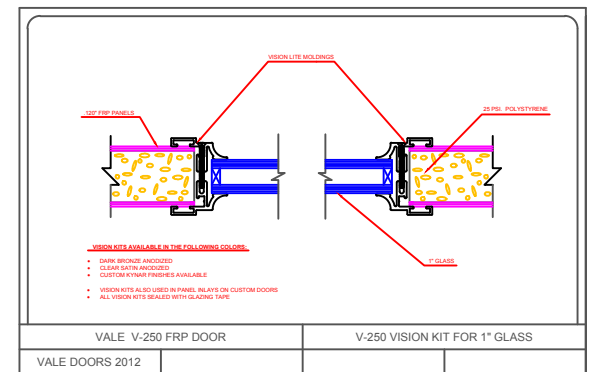
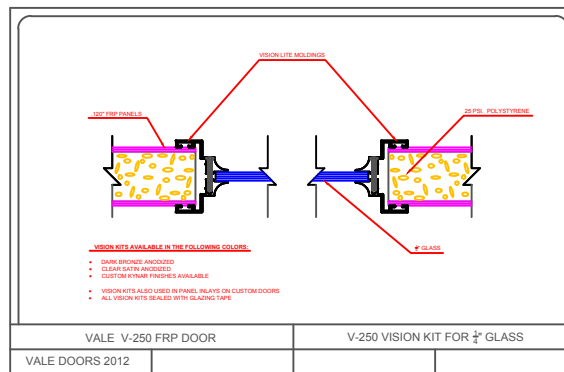
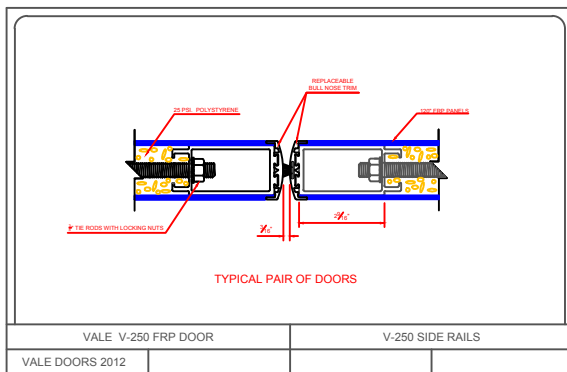
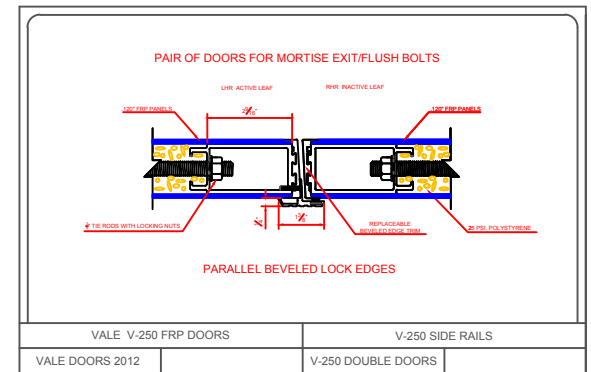
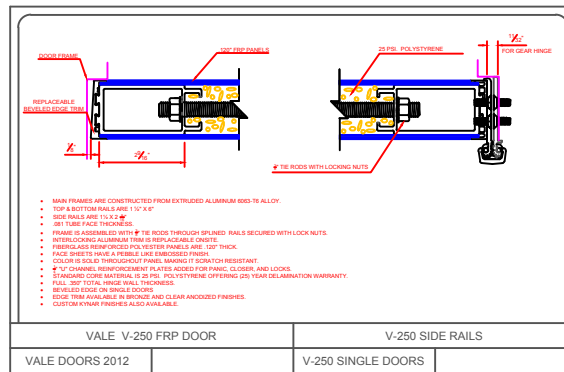
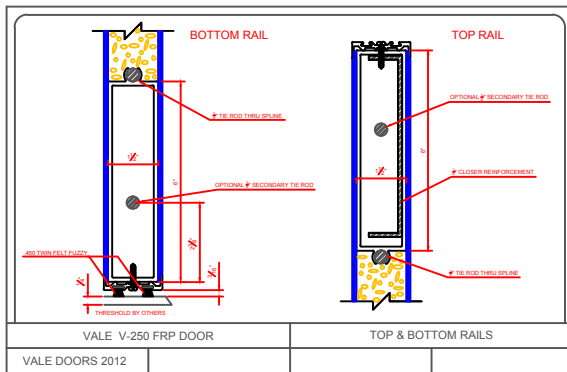
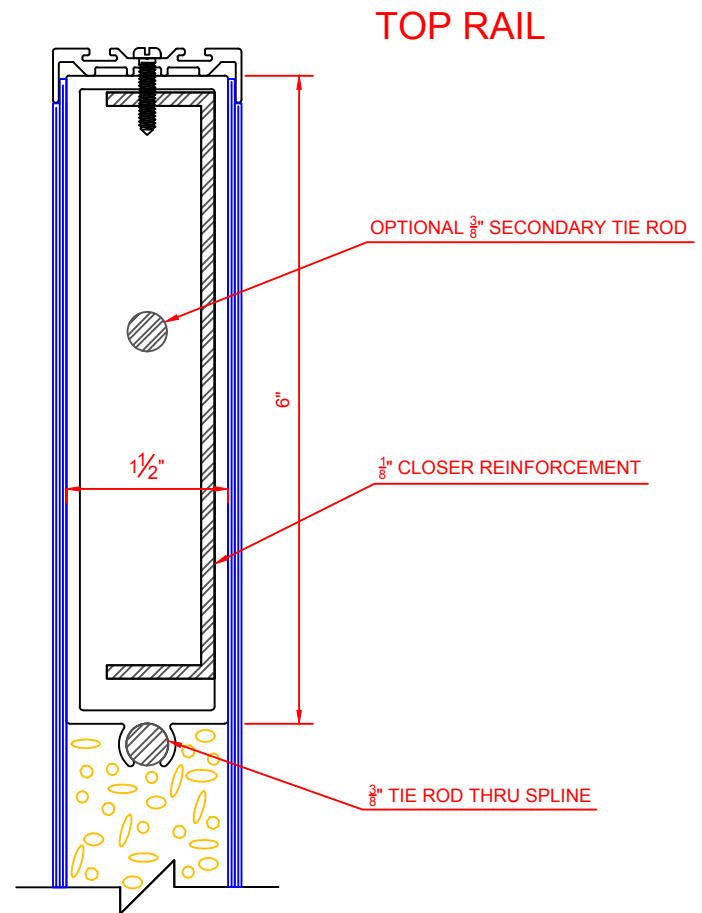
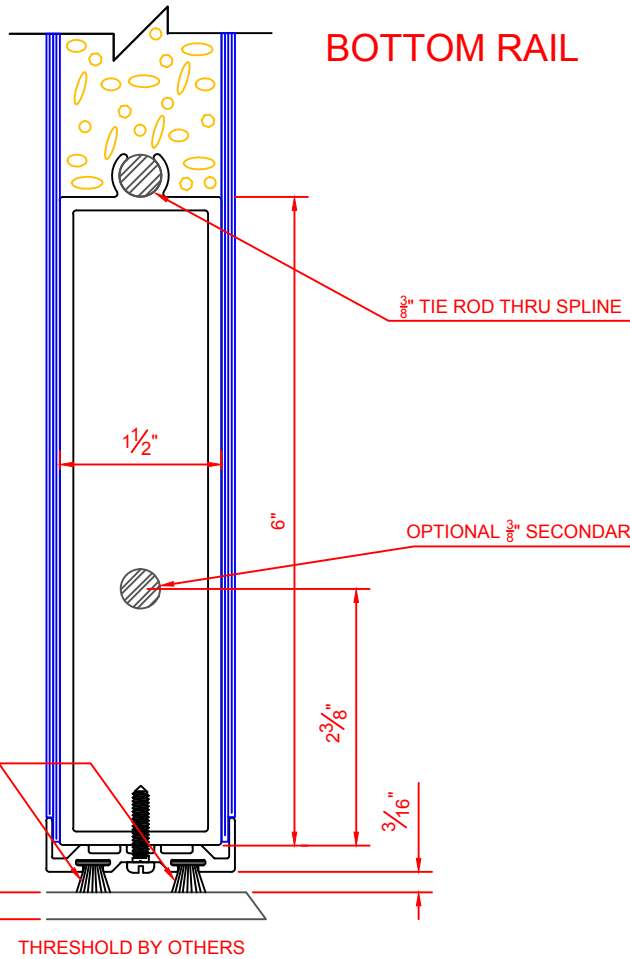


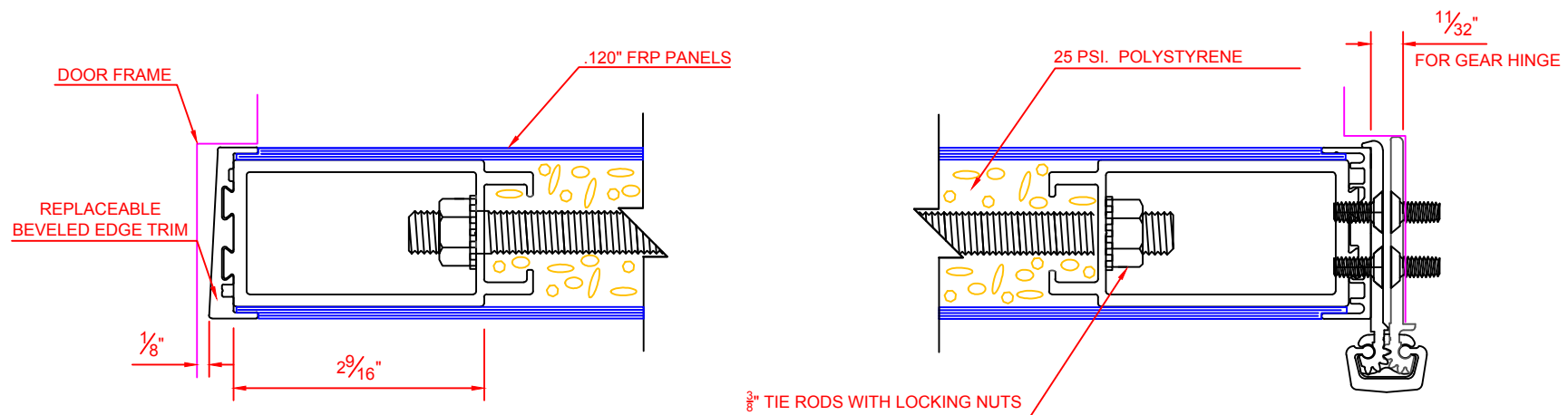
# V-250





VALE V-250 FRP DOOR

TOP & BOTTOM RAILS



- MAIN FRAMES ARE CONSTRUCTED FROM EXTRUDED ALUMINUM 6063-T6 ALLOY.
- TOP & BOTTOM RAILS ARE 1 1/2" X 6"
- SIDE RAILS ARE 1 1/2 X 2 9/16"
- .081 TUBE FACE THICKNESS.
- FRAME IS ASSEMBLED WITH 3/8" TIE RODS THROUGH SPLINED RAILS SECURED WITH LOCK NUTS.
- INTERLOCKING ALUMINUM TRIM IS REPLACEABLE ONSITE.
- FIBERGLASS REINFORCED POLYESTER PANELS ARE .120" THICK.
- FACE SHEETS HAVE A PEBBLE LIKE EMBOSSED FINISH.
- COLOR IS SOLID THROUGHOUT PANEL MAKING IT SCRATCH RESISTANT.
- 1/4" "U" CHANNEL REINFORCEMENT PLATES ADDED FOR PANIC, CLOSER, AND LOCKS.
- STANDARD CORE MATERIAL IS 25 PSI. POLYSTYRENE OFFERING (25) YEAR DELAMINATION WARRANTY.
- FULL .350" TOTAL HINGE WALL THICKNESS.
- BEVELED EDGE ON SINGLE DOORS
- EDGE TRIM AVAILABLE IN BRONZE AND CLEAR ANODIZED FINISHES.
- CUSTOM KYNAR FINISHES ALSO AVAILABLE.

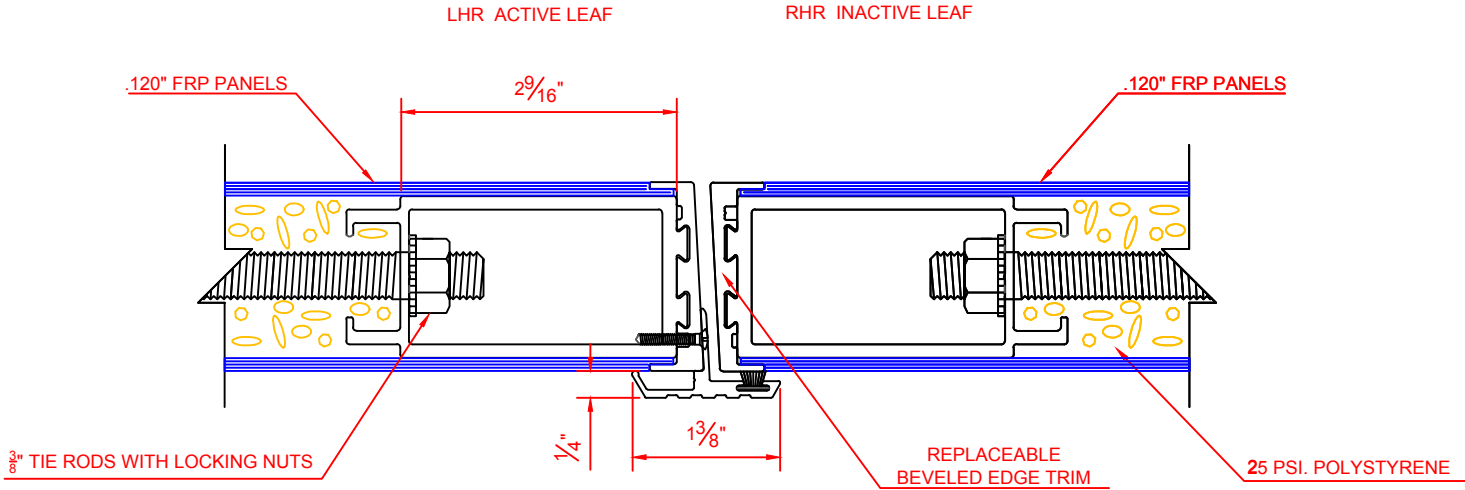
VALE V-250 FRP DOOR

V-250 SIDE RAILS

VALE DOORS 2012

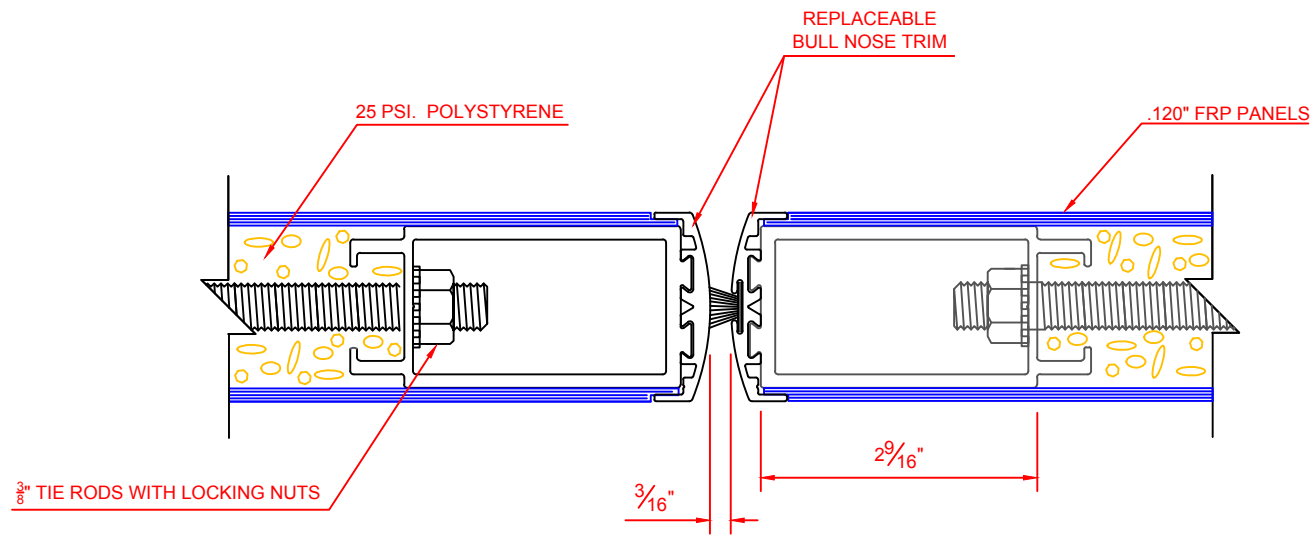
V-250 SINGLE DOORS

PAIR OF DOORS FOR MORTISE EXIT/FLUSH BOLTS



PARALLEL BEVELED LOCK EDGES

VALE V-250 FRP DOORS		V-250 SIDE RAILS	
VALE DOORS 2012		V-250 DOUBLE DOORS	

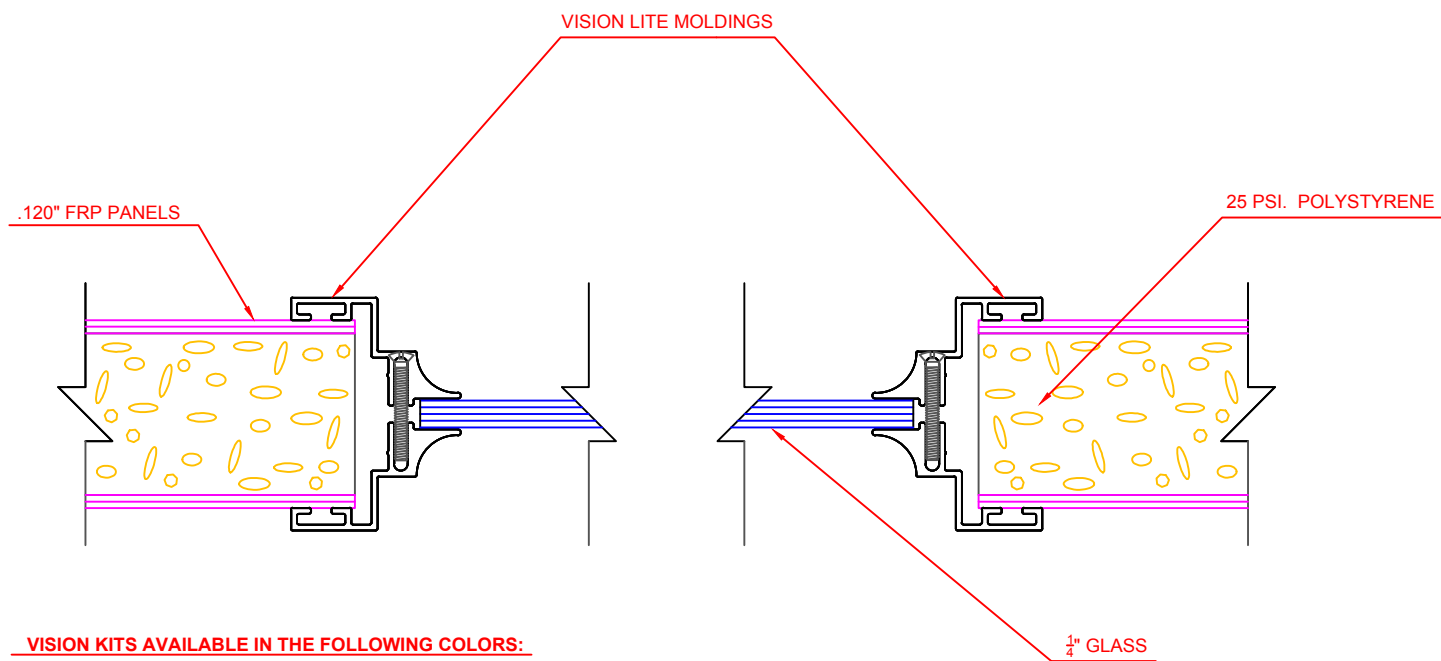


TYPICAL PAIR OF DOORS

VALE V-250 FRP DOOR

V-250 SIDE RAILS

VALE DOORS 2012



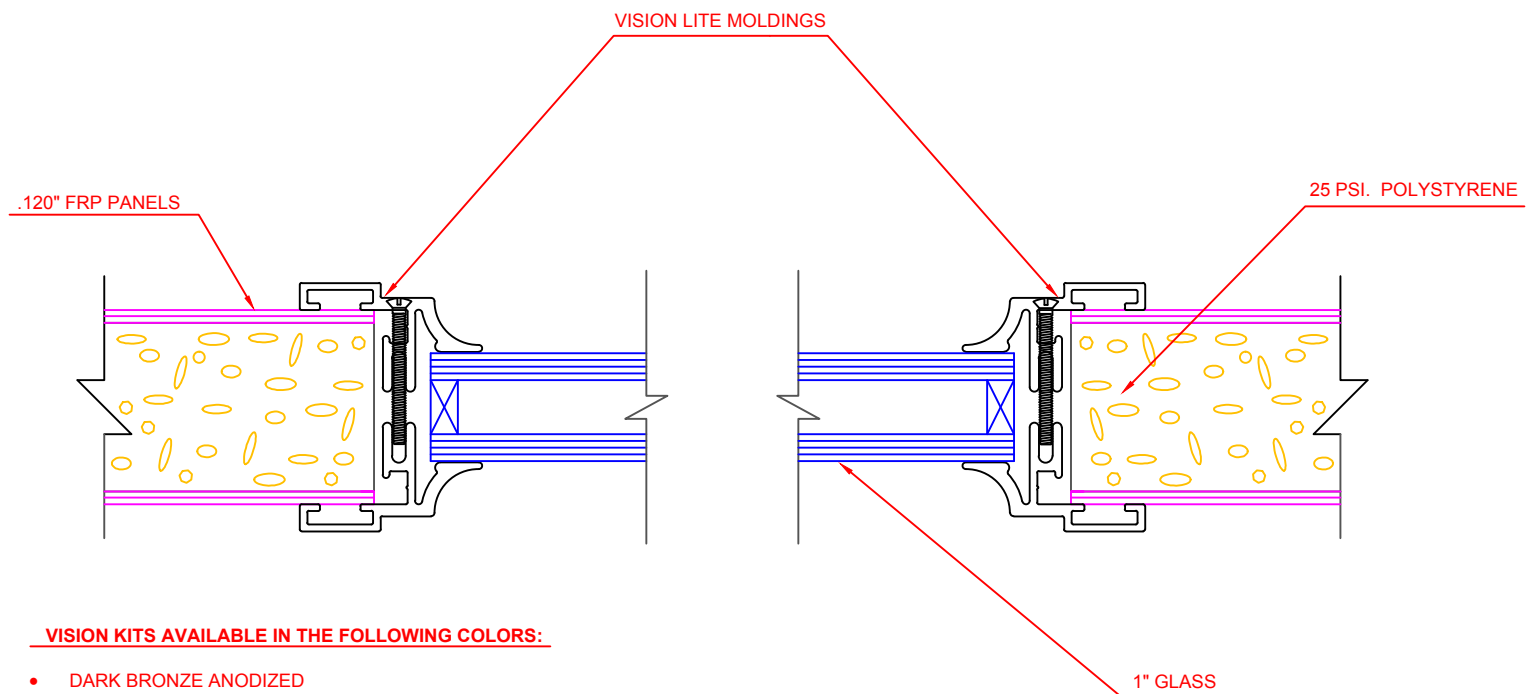
VISION KITS AVAILABLE IN THE FOLLOWING COLORS:

- DARK BRONZE ANODIZED
- CLEAR SATIN ANODIZED
- CUSTOM KYNAR FINISHES AVAILABLE
  
- VISION KITS ALSO USED IN PANEL INLAYS ON CUSTOM DOORS
- ALL VISION KITS SEALED WITH GLAZING TAPE

VALE V-250 FRP DOOR

V-250 VISION KIT FOR  $\frac{1}{4}$ " GLASS

VALE DOORS 2012



**VISION KITS AVAILABLE IN THE FOLLOWING COLORS:**

- DARK BRONZE ANODIZED
- CLEAR SATIN ANODIZED
- CUSTOM KYNAR FINISHES AVAILABLE
  
- VISION KITS ALSO USED IN PANEL INLAYS ON CUSTOM DOORS
- ALL VISION KITS SEALED WITH GLAZING TAPE

VALE V-250 FRP DOOR

V-250 VISION KIT FOR 1" GLASS

VALE DOORS 2012