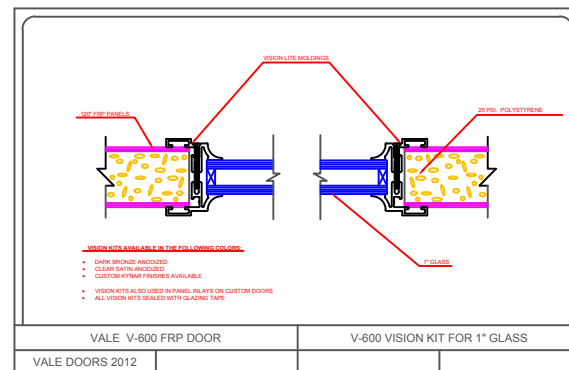
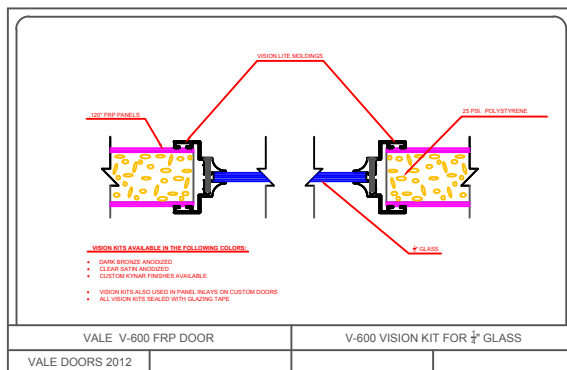
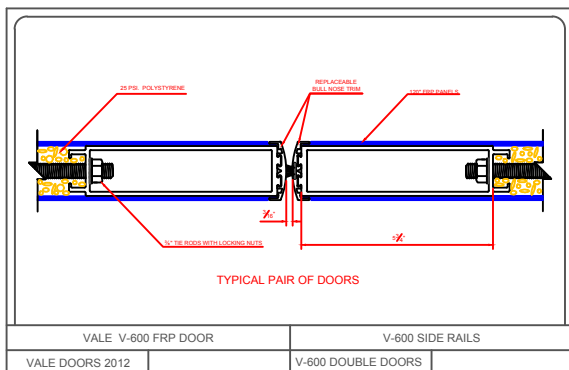
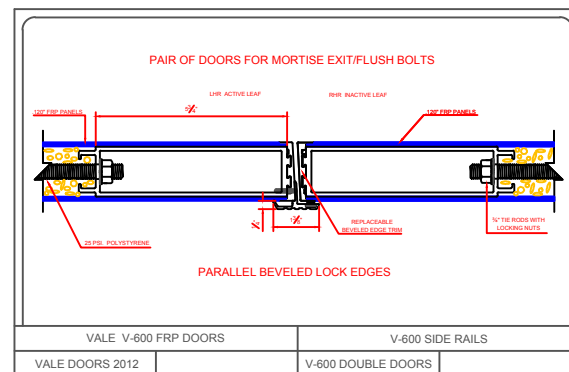
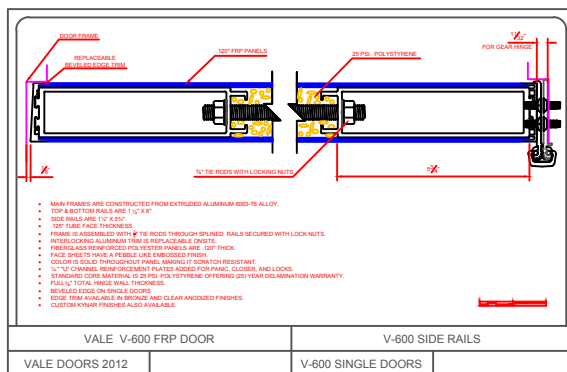
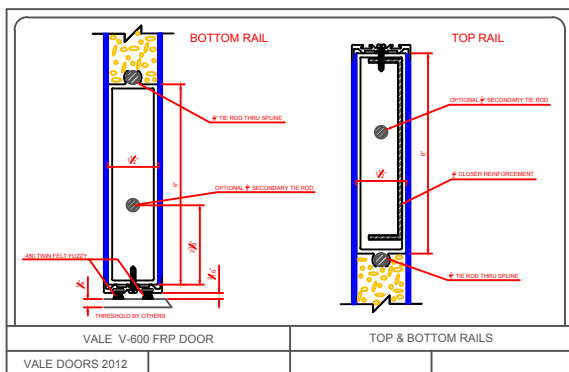
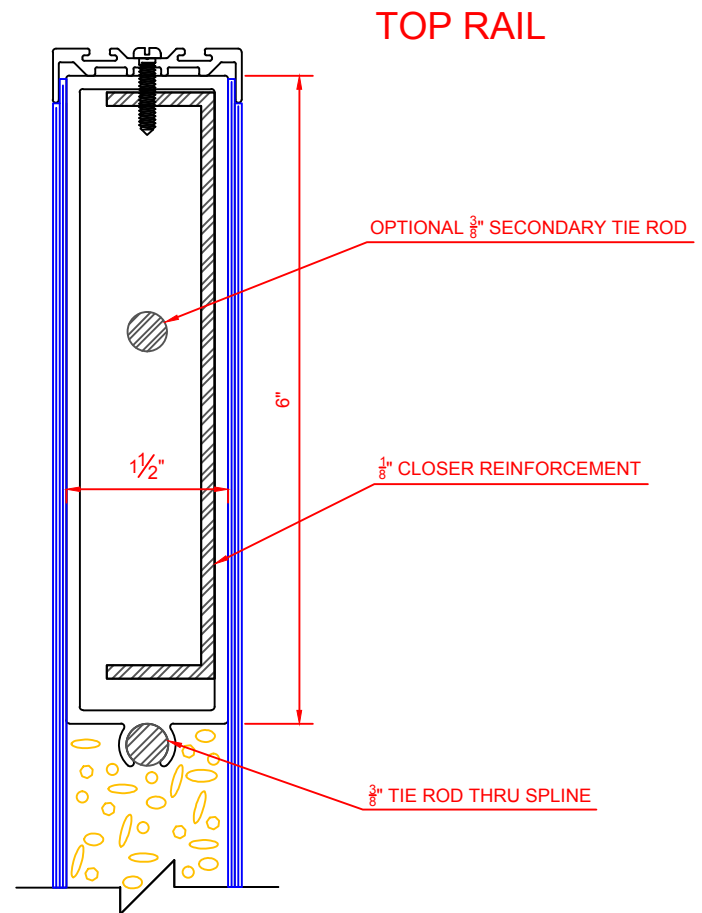
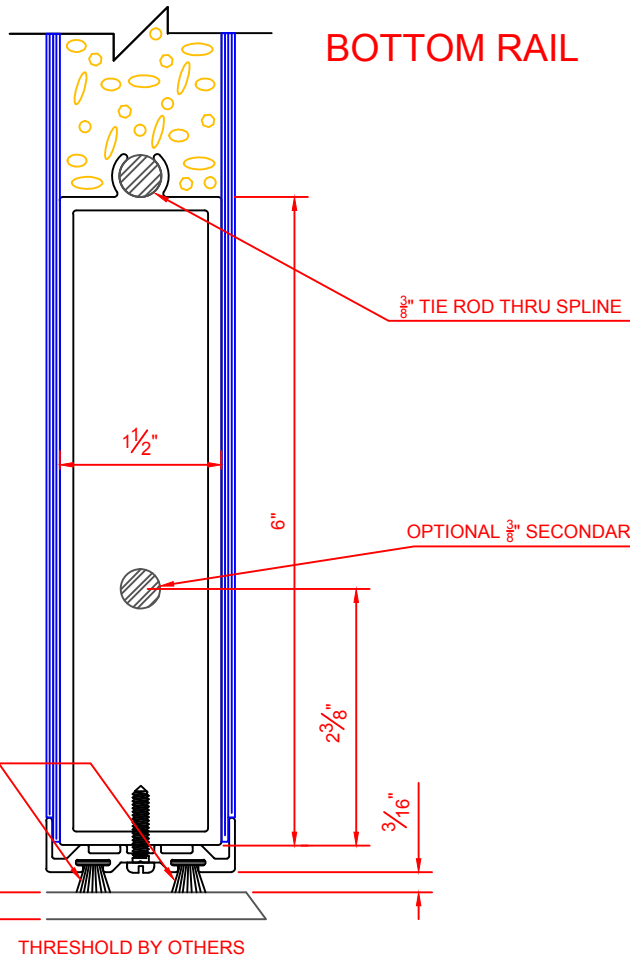


V-600

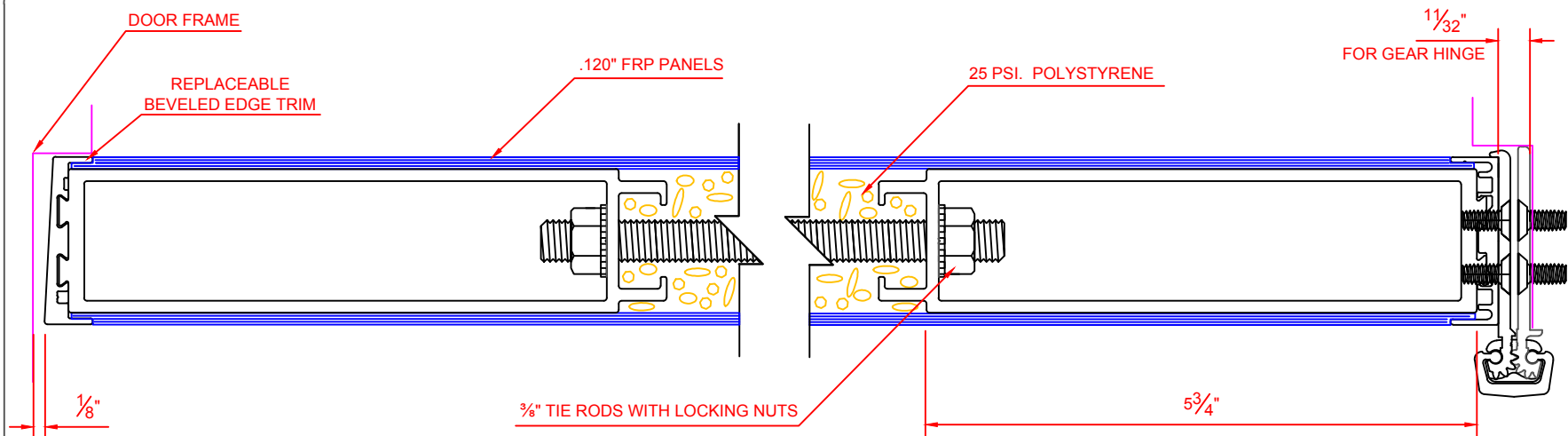




VALE V-600 FRP DOOR

TOP & BOTTOM RAILS

VALE DOORS 2012



- MAIN FRAMES ARE CONSTRUCTED FROM EXTRUDED ALUMINUM 6063-T6 ALLOY.
- TOP & BOTTOM RAILS ARE 1 1/2" X 6"
- SIDE RAILS ARE 1 1/2" X 5 3/4"
- .125" TUBE FACE THICKNESS.
- FRAME IS ASSEMBLED WITH 3/8" TIE RODS THROUGH SPLINED RAILS SECURED WITH LOCK NUTS.
- INTERLOCKING ALUMINUM TRIM IS REPLACEABLE ONSITE.
- FIBERGLASS REINFORCED POLYESTER PANELS ARE .120" THICK.
- FACE SHEETS HAVE A PEBBLE LIKE EMBOSSED FINISH.
- COLOR IS SOLID THROUGHOUT PANEL MAKING IT SCRATCH RESISTANT.
- 1/4" "U" CHANNEL REINFORCEMENT PLATES ADDED FOR PANIC, CLOSER, AND LOCKS.
- STANDARD CORE MATERIAL IS 25 PSI. POLYSTYRENE OFFERING (25) YEAR DELAMINATION WARRANTY.
- FULL 3/8" TOTAL HINGE WALL THICKNESS.
- BEVELED EDGE ON SINGLE DOORS
- EDGE TRIM AVAILABLE IN BRONZE AND CLEAR ANODIZED FINISHES.
- CUSTOM KYNAR FINISHES ALSO AVAILABLE.



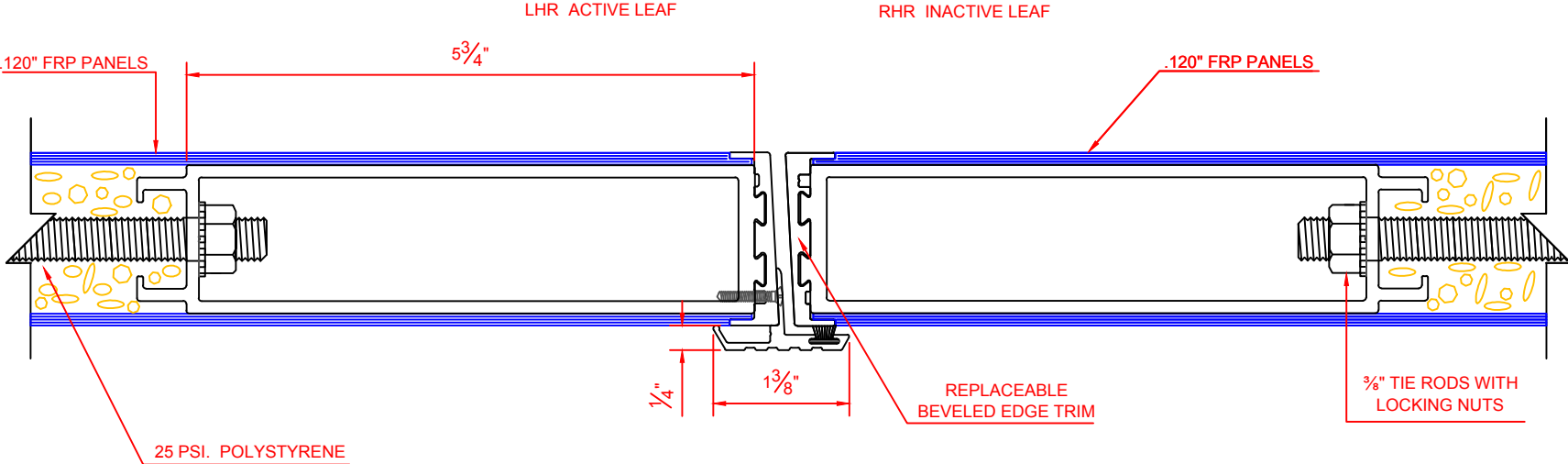
VALE V-600 FRP DOOR

V-600 SIDE RAILS

VALE DOORS 2012

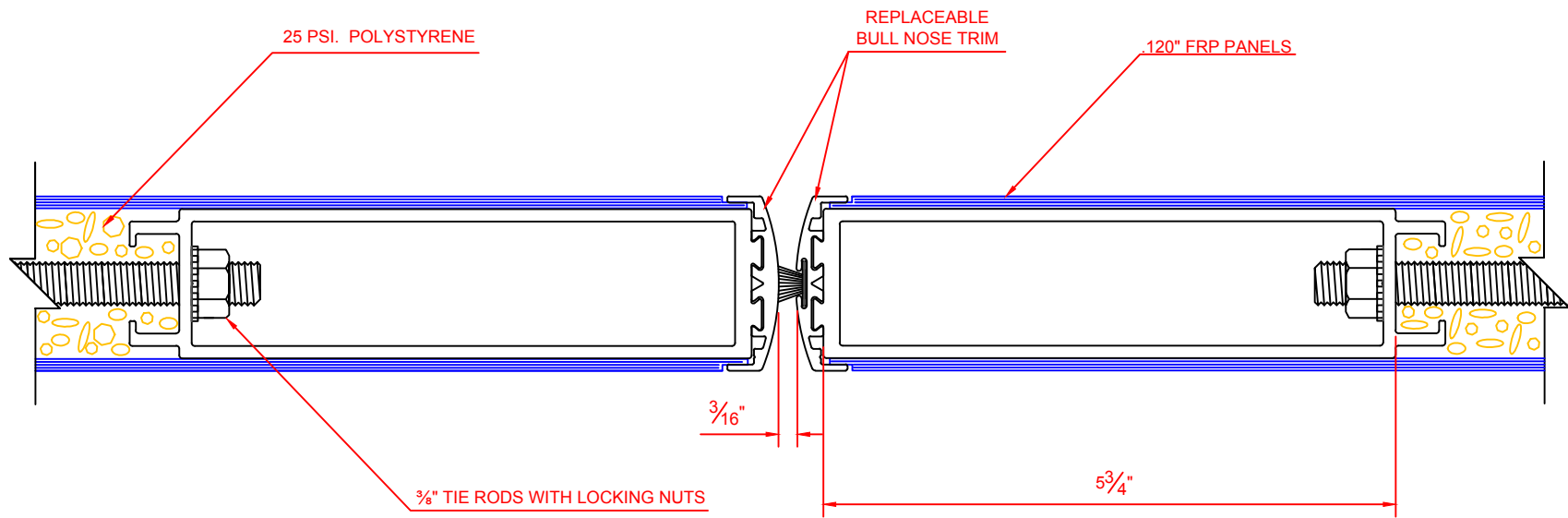
V-600 SINGLE DOORS

PAIR OF DOORS FOR MORTISE EXIT/FLUSH BOLTS



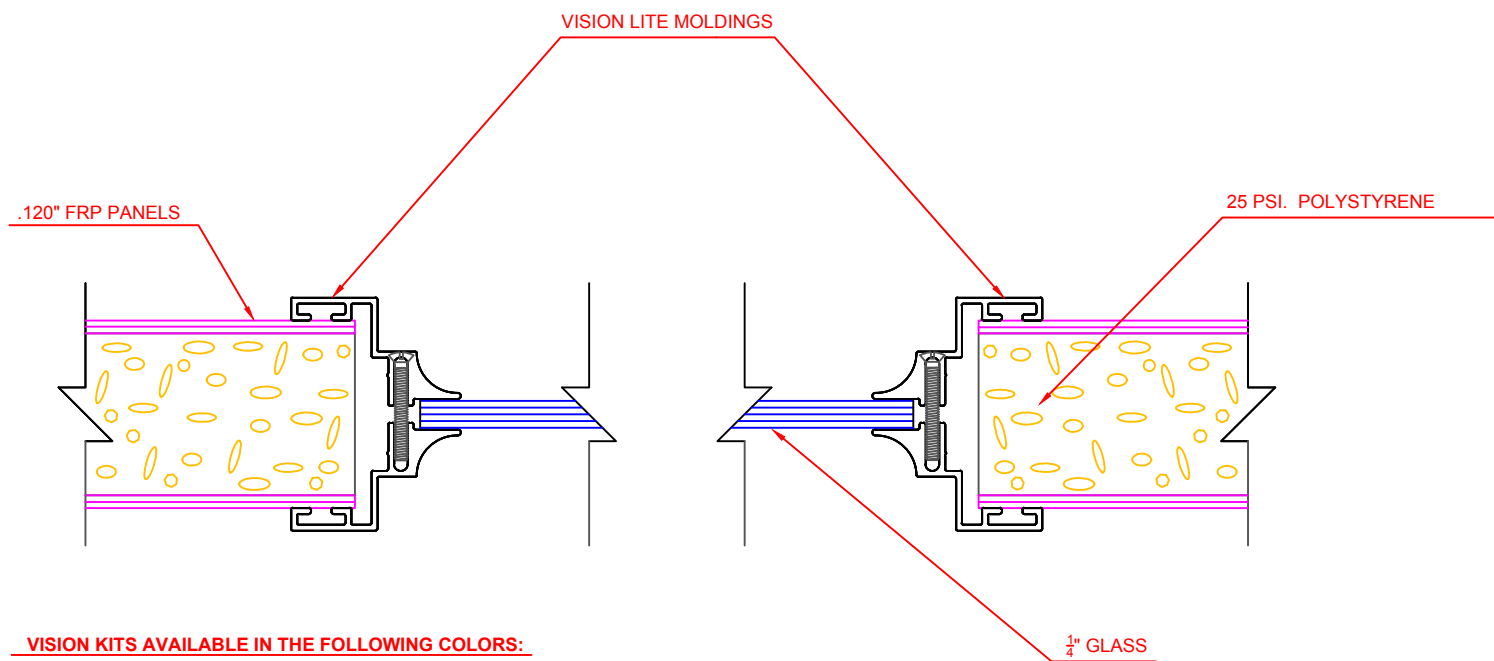
PARALLEL BEVELED LOCK EDGES

VALE V-600 FRP DOORS		V-600 SIDE RAILS	
VALE DOORS 2012		V-600 DOUBLE DOORS	



TYPICAL PAIR OF DOORS

VALE V-600 FRP DOOR		V-600 SIDE RAILS	
VALE DOORS 2012		V-600 DOUBLE DOORS	



VISION KITS AVAILABLE IN THE FOLLOWING COLORS:

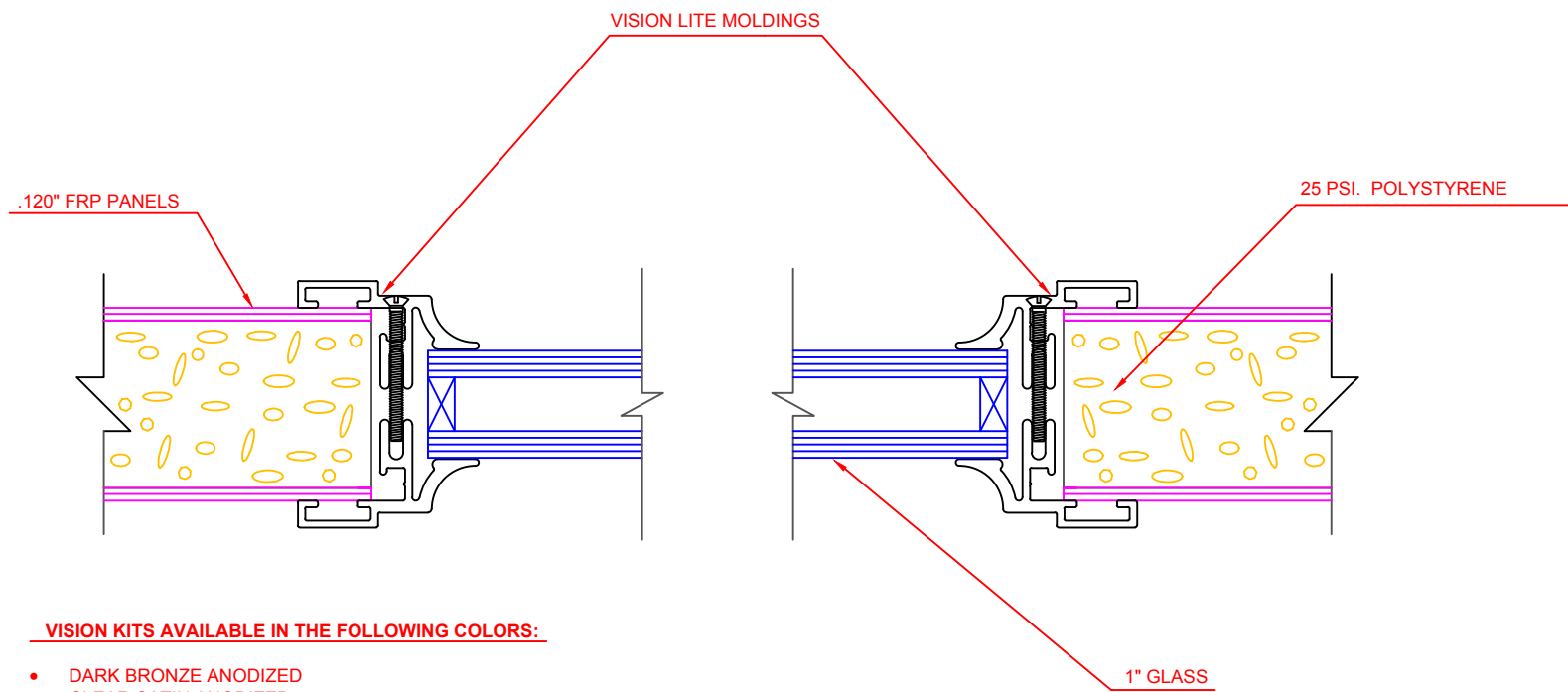
- DARK BRONZE ANODIZED
- CLEAR SATIN ANODIZED
- CUSTOM KYNAR FINISHES AVAILABLE

- VISION KITS ALSO USED IN PANEL INLAYS ON CUSTOM DOORS
- ALL VISION KITS SEALED WITH GLAZING TAPE

VALE V-600 FRP DOOR

V-600 VISION KIT FOR 1/4" GLASS

VALE DOORS 2012



VISION KITS AVAILABLE IN THE FOLLOWING COLORS:

- DARK BRONZE ANODIZED
- CLEAR SATIN ANODIZED
- CUSTOM KYNAR FINISHES AVAILABLE

- VISION KITS ALSO USED IN PANEL INLAYS ON CUSTOM DOORS
- ALL VISION KITS SEALED WITH GLAZING TAPE

VALE V-600 FRP DOOR		V-600 VISION KIT FOR 1" GLASS	
VALE DOORS 2012			