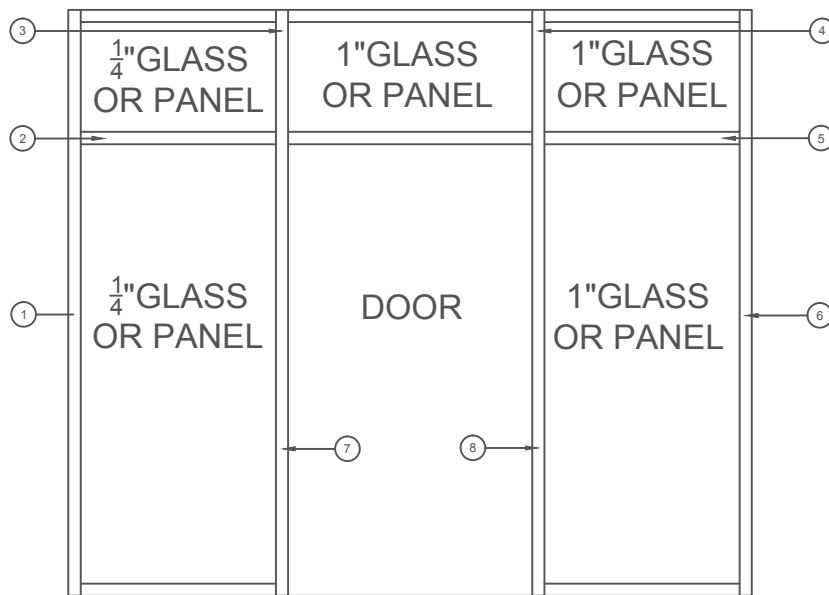
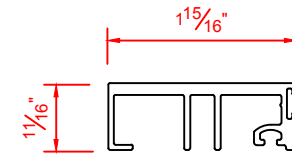


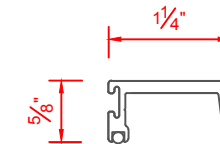
VALE 1-3/4" X 4-1/2" FRAMING SYSTEMS WITH APPLIED STOPS



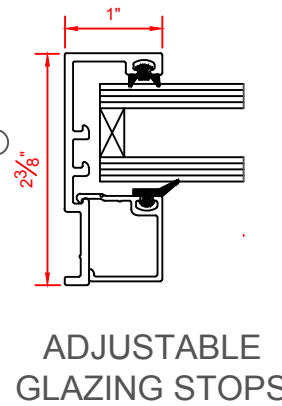
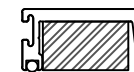
LARGE DOOR STOP



SMALL DOOR STOP



SMALL DOOR STOP WITH REINFORCEMENT



ADJUSTABLE GLAZING STOPS

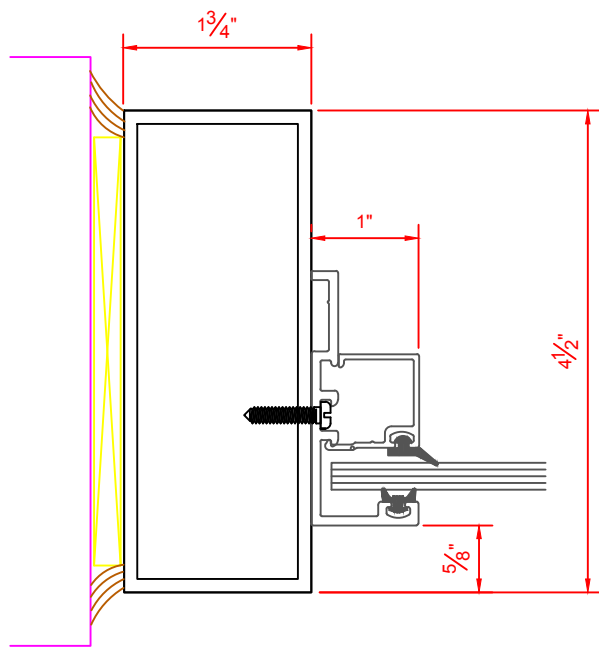
1-3/4" X 4 -1/2" FRAMING SYSTEM WITH STOPS

AVAILABLE DOOR STOPS

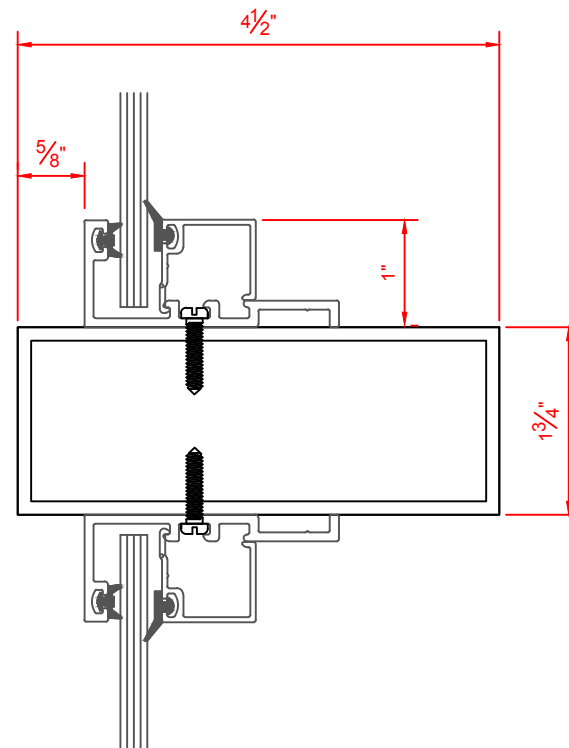
VALE DOORS 2010

SCALE: FULL

ALLOY: 6063-T5



1



2

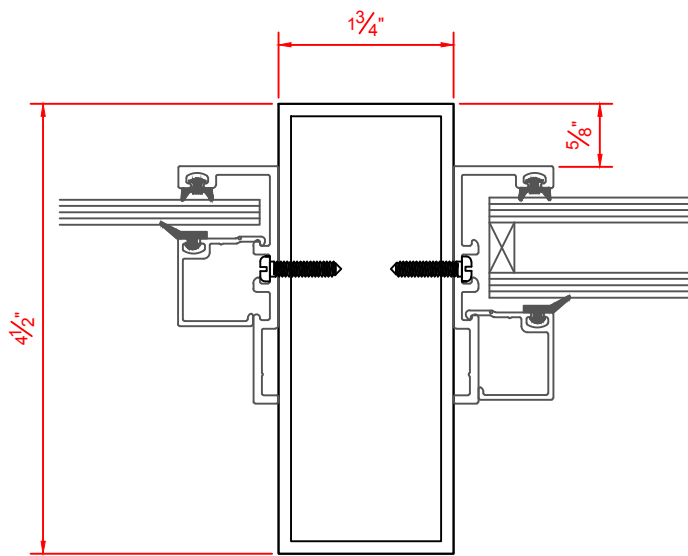
1-3/4" X 4 -1/2" FRAMING SYSTEM WITH STOPS

ADJUSTABLE GLAZING STOPS

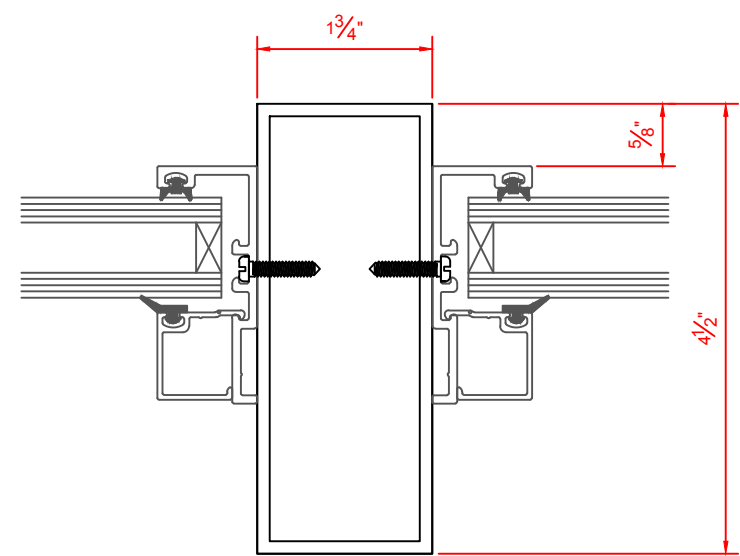
VALE DOORS 2010

SHIMS BY OTHERS

CAULK BY OTHERS



3

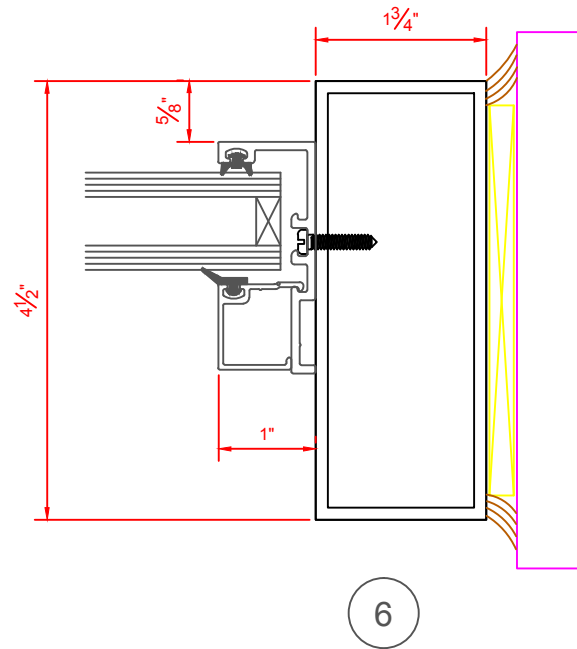
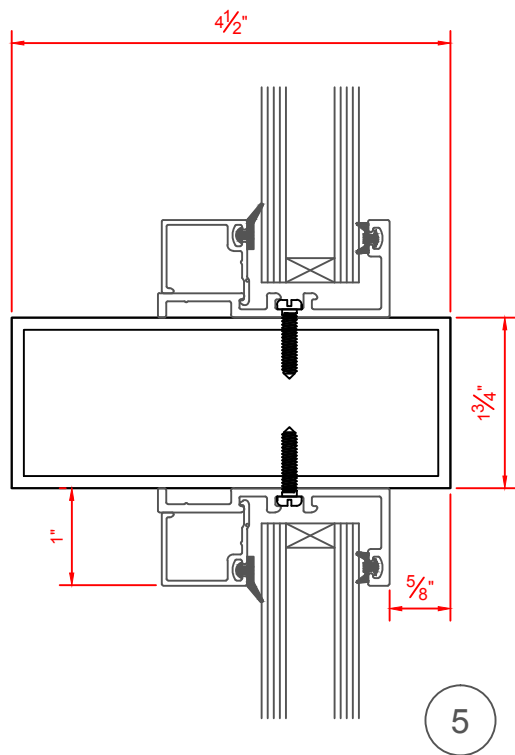


4

1-3/4" X 4 -1/2" FRAMING SYSTEM WITH STOPS

ADJUSTABLE GLAZING STOPS

VALE DOORS 2010



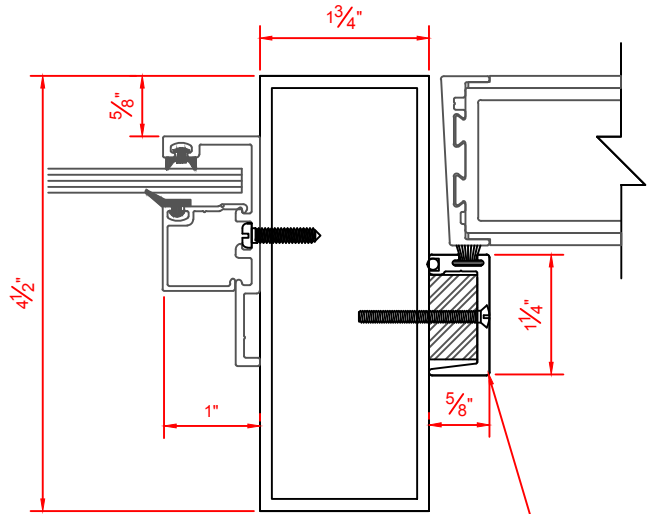
1-3/4" X 4 -1/2" FRAMING SYSTEM WITH STOPS

ADJUSTABLE GLAZING STOPS

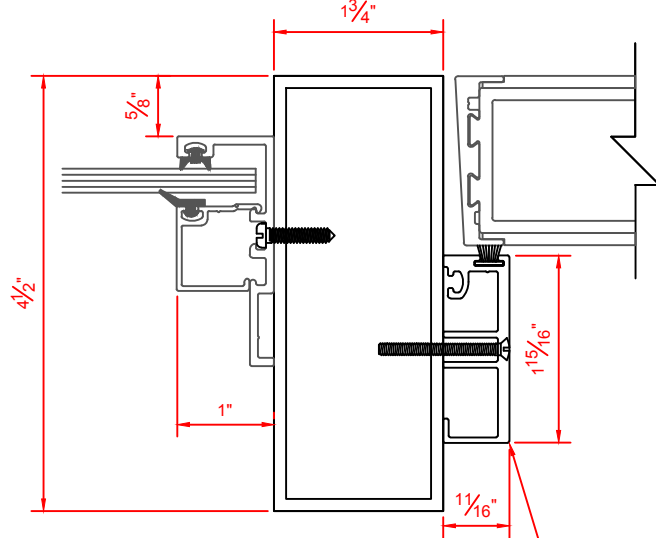
VALE DOORS 2010

SHIMS BY OTHERS

CAULK BY OTHERS



Low Profile Heavy Duty Stop With Reinforcement

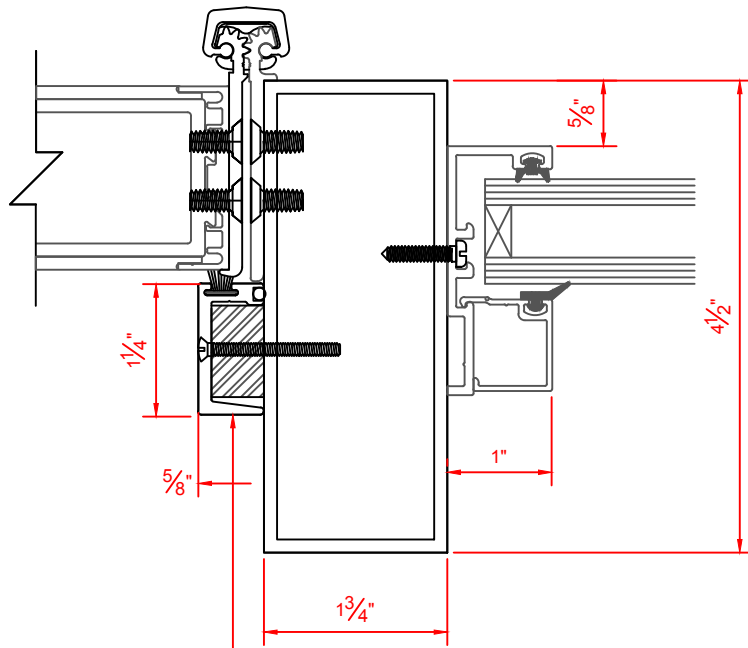


Heavy Duty Stop

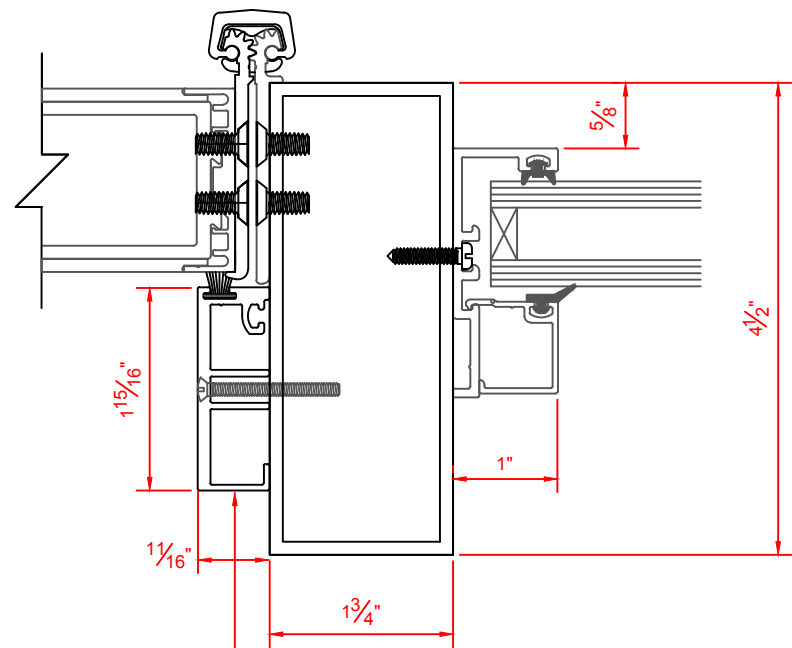
1-3/4" X 4 -1/2" FRAMING SYSTEM WITH STOPS

ADJUSTABLE GLAZING / DOOR STOPS

VALE DOORS 2010



Low Profile Heavy Duty Stop With Reinforcement



Heavy Duty Stop

1-3/4" X 4 -1/2" FRAMING SYSTEM WITH STOPS

ADJUSTABLE GLAZING / DOOR STOPS

VALE DOORS 2010