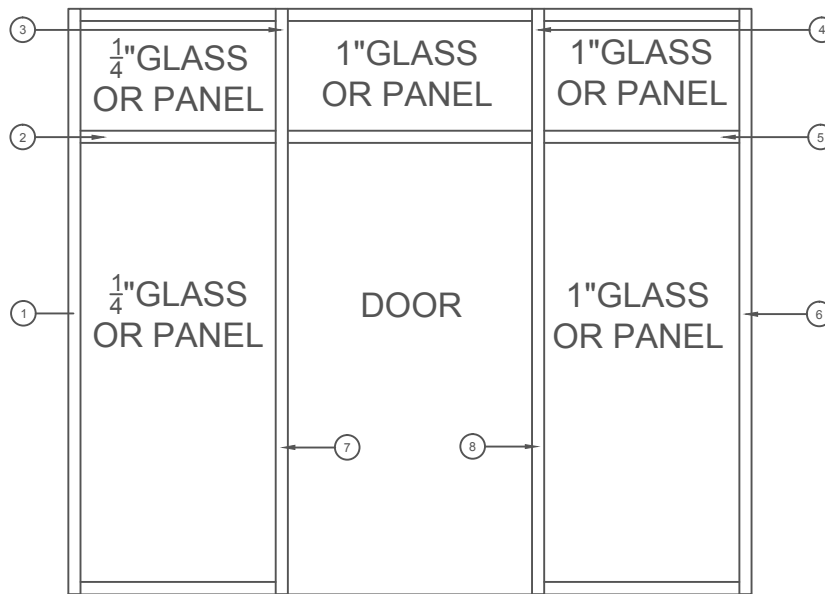
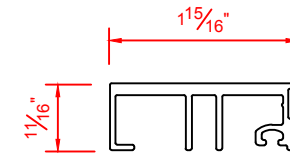


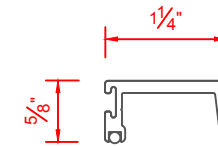
VALE 2" X 4-1/2" FRAMING SYSTEMS WITH APPLIED STOPS



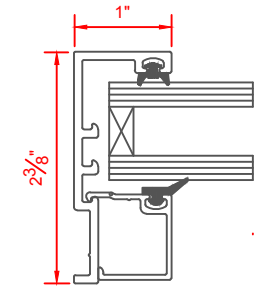
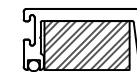
LARGE DOOR STOP



SMALL DOOR STOP



SMALL DOOR STOP WITH REINFORCEMENT



ADJUSTABLE GLAZING STOPS

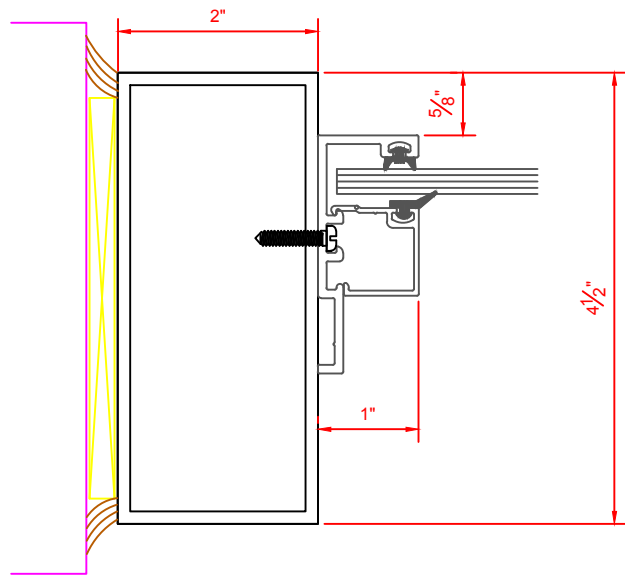
2" X 4 -1/2" FRAMING SYSTEM WITH STOPS

ADJUSTABLE GLAZING STOPS

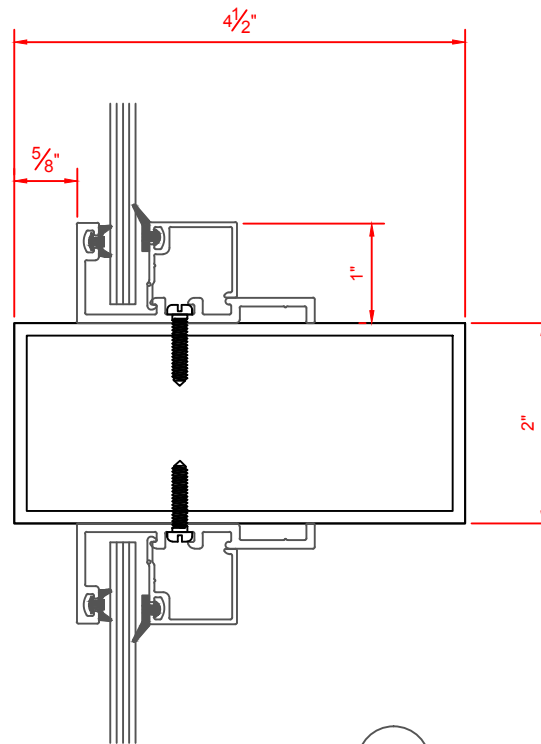
VALE DOORS 2010

SCALE: FULL

ALLOY: 6063-T5



1



2

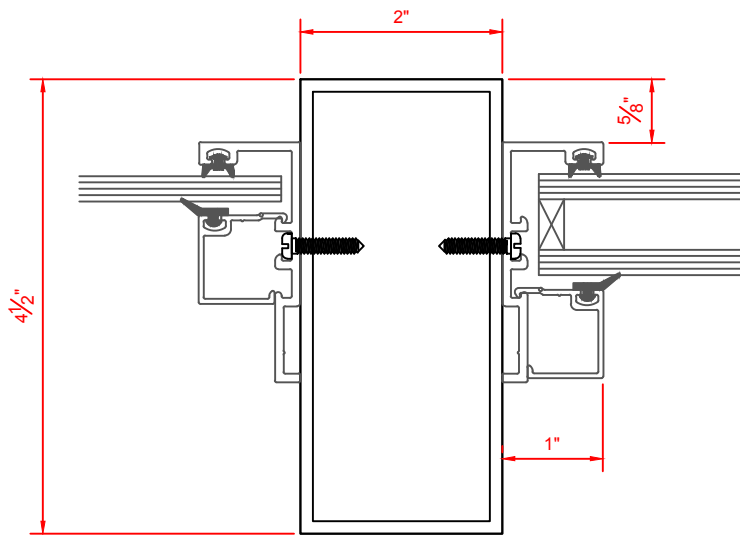
2" X 4 -1/2" FRAMING SYSTEM WITH STOPS

ADJUSTABLE GLAZING STOPS

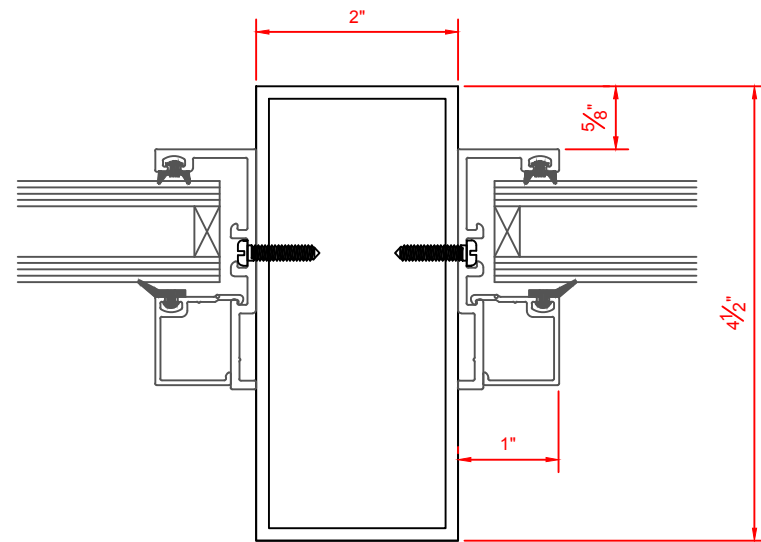
VALE DOORS 2010

SHIMS BY OTHERS

CAULK BY OTHERS



3

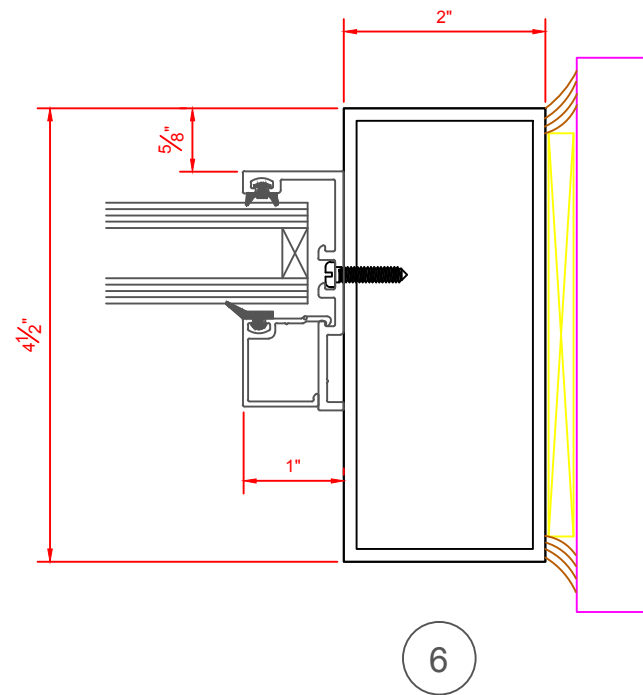
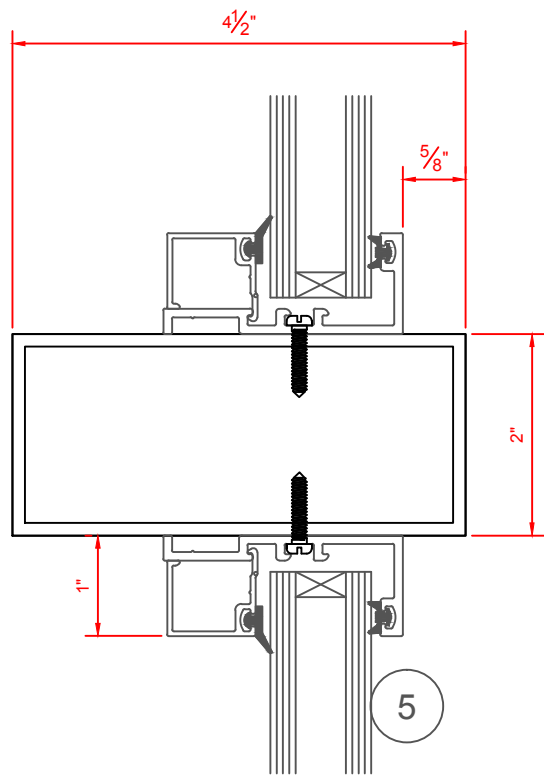


4

2" X 4 -1/2" FRAMING SYSTEM WITH STOPS

ADJUSTABLE GLAZING STOPS

VALE DOORS 2010



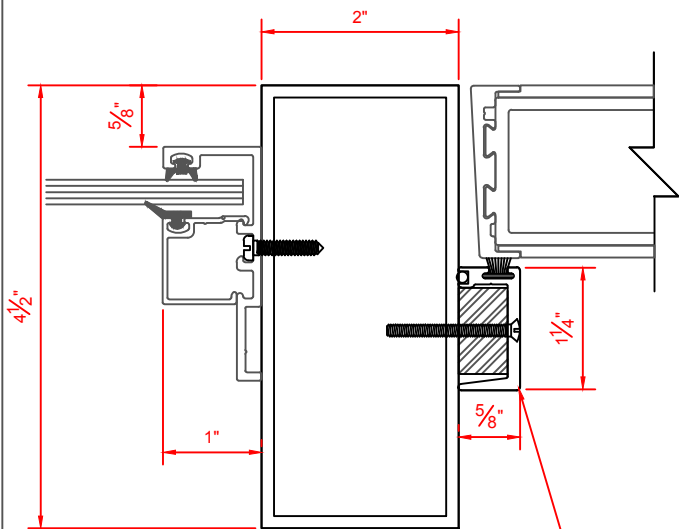
2" X 4 -1/2" FRAMING SYSTEM WITH STOPS

ADJUSTABLE GLAZING STOPS

VALE DOORS 2010

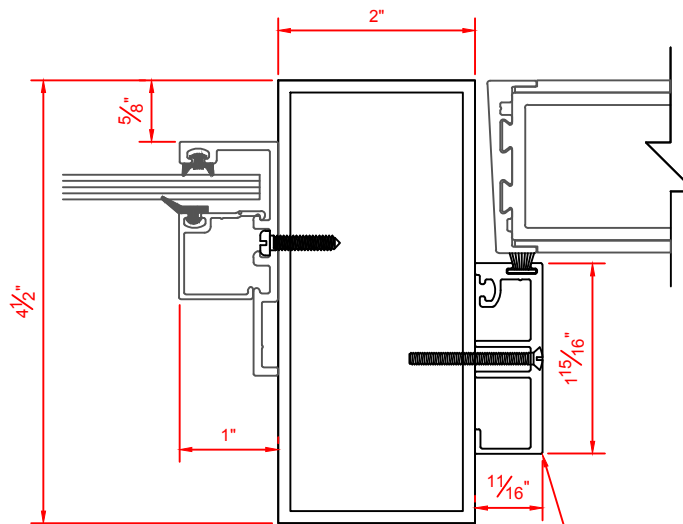
SHIMS BY OTHERS

CAULK BY OTHERS



7

Low Profile Heavy Duty Stop With Reinforcement



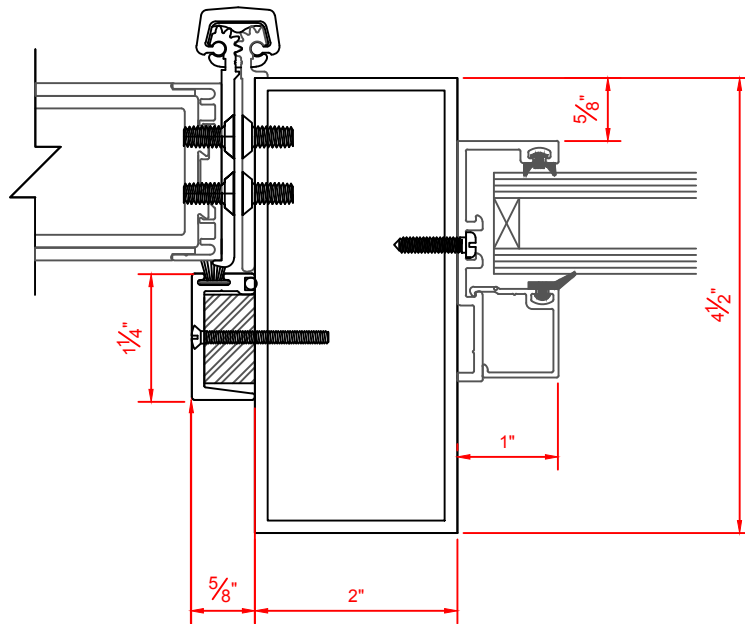
7

Heavy Duty Stop

2" X 4 -1/2" FRAMING SYSTEM WITH STOPS

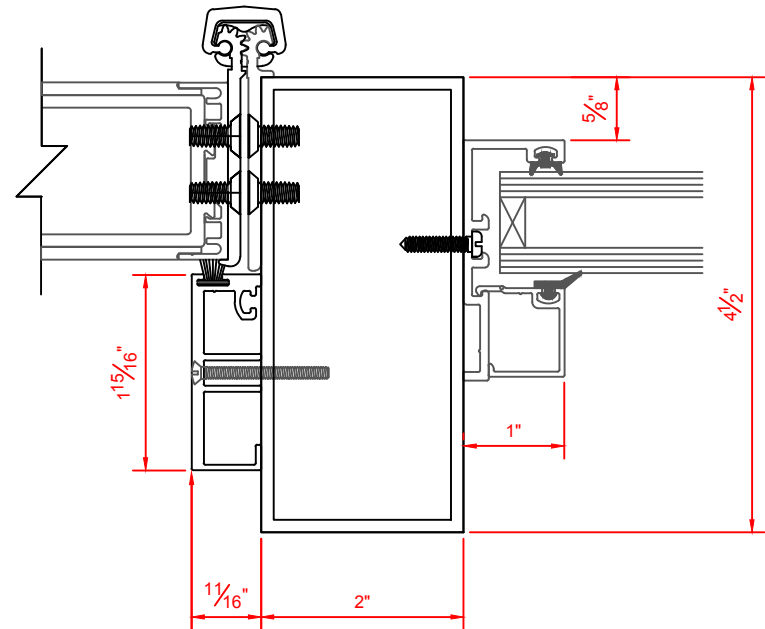
ADJUSTABLE GLAZING / DOOR STOPS

VALE DOORS 2010



8

Low Profile Heavy Duty Stop With Reinforcement



8

Heavy Duty Stop

2" X 4 -1/2" FRAMING SYSTEM WITH STOPS

ADJUSTABLE GLAZING / DOOR STOPS

VALE DOORS 2010